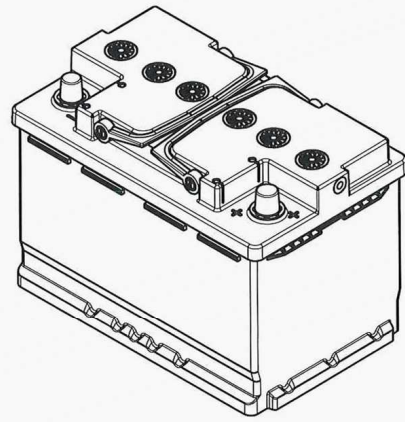
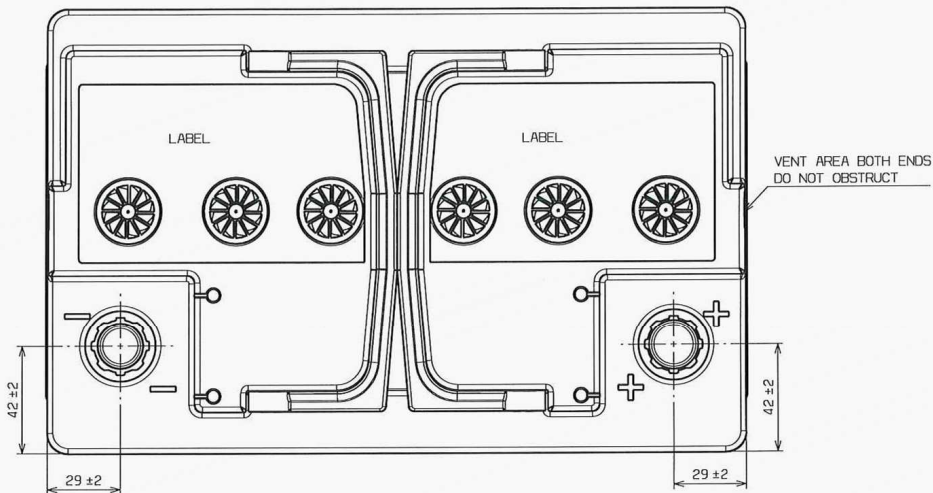


REV	SEE ECO *	APP DATE	CHK	DR	APP
AA	5046907	11-27-19	YHY	ZHGX	2005



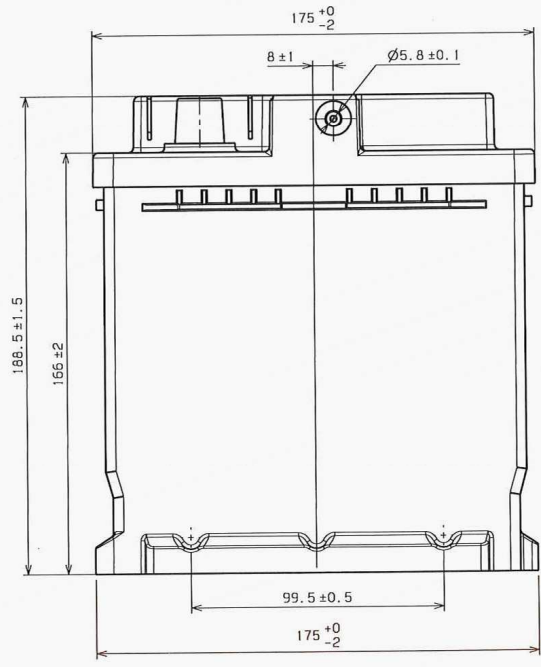
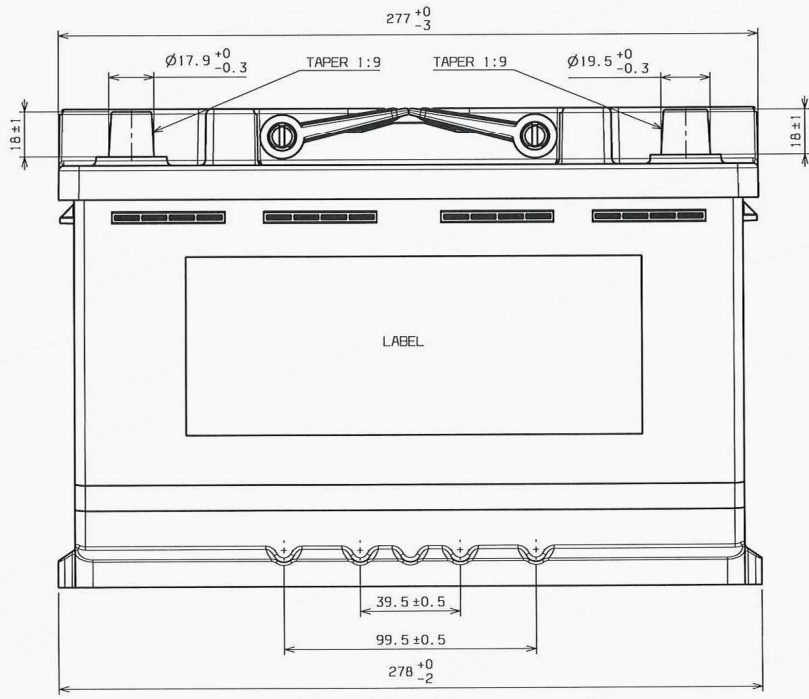
Isometric view
Scale: 1:2

APPLICATION DATA

GROUP SIZE: AGM H6

PERFORMANCE RATINGS: 12 VOLTS
 COLD CRANKING AMPERES AT -18°C (EN) 720 AMPS
 20 HOUR RATE: AMP HR (REF) 70 Ah

INSTALLATION INSTRUCTIONS:
 RECOMMENDED TERMINAL TORQUE SPECIFICATIONS:
 TOP TERMINAL POST 5.6-7.9(N.m)
 RECOMMENDED RETAINER TORQUE SPECIFICATIONS:
 BASE CLAMP 15~20(N.m)
 TOP BAR/FRAME 2.3~4.5 (N.m)



WITH TERMINAL PROTECTORS;
 WITH ONE VENT PLUG, IT IS OPTIONAL.

④	KEY CRITICAL CHARACTERISTIC TO BE CHECKED AT INITIAL/SUBSEQUENT CUSTOMER PART SUBMISSION AND MONITORED PER CONTROL PLAN
⑤	SIGNIFICANT LEVEL-1 CHARACTERISTIC TO BE CHECKED AT INITIAL/SUBSEQUENT CUSTOMER PART SUBMISSION AND MONITORED PER CONTROL PLAN
⑥	SIGNIFICANT LEVEL-2 CHARACTERISTIC TO BE CHECKED AT INITIAL/SUBSEQUENT CUSTOMER PART SUBMISSION (ONE TIME CAPABILITY)
DIMENSIONS AND TOLERANCES ARE FOR FINISHED PART ACCEPTANCE	
RANGE	OVER 0 19.05 38.1 76.2 127 203.2 304.8 457.2 609.6
	TO 19.05 38.1 76.2 127 203.2 304.8 457.2 609.6 762
UNLESS OTHERWISE SPECIFIED	
DIMENSIONS AND TOLERANCES ARE: ±.13 ±.25 ±.51 ±.89 ±1.40 ±2.16 ±3.18 ±4.19 ±5.33 ±.5°	
DIMENSIONS AND TOLERANCES ARE IN ACCORDANCE WITH ASME Y14.5M-1994	
DO NOT SCALE DRAWING THIRD ANGLE DIMENSIONS ARE IN MILLIMETERS/INCHES	
NOTICE: THIS DRAWING IS FURNISHED FOR REFERENCE ONLY. THE FURNISHING OR POSSESSION OF THIS DRAWING OR ANY REPRODUCTIONS THEREOF, DOES NOT CONVEY ANY MANUFACTURING RIGHTS.	
MATERIAL: CATIA	
TITLE: BATTERY OUTLINE AGM H6	3D MODEL NO: 30123153
ORIGINAL RELEASE AUTHORIZATION: SCALE 1/1	VERSION: 00
CHK: Y, Z DATE: 11-27-19 SHEET: 1 OF 1	REV: AA
ENGR: HXG DATE: 11-27-19 SIZE: D	CLARIOS 30129598

周福 2019.11.29